

Low luminance architectural ceiling mounted fixture for inside or outside location.

Luminaire characteristic:

MODEL	TOTAL INPUT	OPTIC	LUMEN (lm)*	EFFICACY (lm/W)*	MAX CANDELA (cd)*
ILBIO02-W-930	5.4W	Wide flood	273	50	439
ILBIO05-W-930	12.5W		651	52	1 047

*For 3000K, 90CRI

Source:

White LED
 2700K : 90CRI,
 3000K : 90CRI,
 3500K : 90CRI,
 4000K : 90CRI.

Lumen maintenance:

90% of initial lumens at 100 000 hours (L80 B10) T77° (25°)
 90% of initial lumens at 100 000 hours (L80 B10) T104° (40°) (LM-80)

Optic:

High definition OPTI BEAM optics with luminance control UGR<19. Available in wide flood optic.

Material:

Baffle: Thermoplastic.
 Body: Painted extruded aluminum with excellent resistance to atmospheric agents and UV rays.
 Diffuser: Transparent glass screen, with black serigraphy on the edge.
 Optical assembly: Die-cast aluminum body and heat sink.

Mounting:

Wall or ceiling mounted, to be installed on a standard octagonal 4" junction box with painted canopy.

Electrical:

High efficiency dimmable remote LED driver, rated at 50 000 hours. 120V/277V.
 See remote power supply options on page 3.

Dimming:

Leading (Triac) and trailing edge(ELV), down to 15%(120V) and 0-10V down to 1% (120-277V).
 See dimming options on page 3.

Finish:

Body: Black, gray (RAL9007), rust brown and white (RAL9016).
 Baffle: black, glossy sand, glossy copper, glossy urban bronze and glossy lead.

Weight:

2 Cells: 1.60lb (0.7kg)
 5 Cells: 2.54lb (1.15kg)

Warranty:

5 year limited warranty.

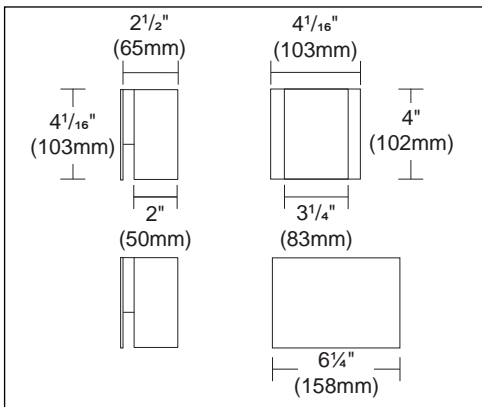
Ratings:

IK06, IP65

Certification:



Wet location



ORDERING INFO



PRODUCT CODE

MODEL	MOUNTING	LED	OPTIC	VOLTAGE	FINISH (BODY / BAFFLE)
ILBIO02 Two Cells	W Wall	927 2700K 90 CRI	WF Wide flood	REM Remote	01 White / black
ILBIO05 Five Cells		930 3000K 90 CRI			T4 White / Glossy lead
		935 3500K 90 CRI			T3 White / Glossy sand
		940 4000K 90 CRI			T2 White / Glossy copper
					T1 White / Glossy urban bronze
					02 Black / Black
					T0 Black / Glossy lead
					S9 Black / Glossy sand
					S8 Black / Glossy copper
					S7 Black / Glossy urban bronze
					15 Gray / Black
					T8 Gray / Glossy lead
					T7 Gray / Glossy sand
					T6 Gray / Glossy copper
					T5 Gray / Glossy urban bronze
					I5 Rust brown / Black
					U2 Rust brown / Glossy lead
					U1 Rust brown / Glossy sand
					U0 Rust brown / Glossy copper
					T9 Rust brown / Glossy urban bronze

REMOTE LED DRIVER OPTIONS (TO BE ORDERED SEPARATELY)

PRODUCT CODE

Indoor rated drivers

Driver box model	Min-max units	
	ILBIO02 4W*	ILBIO05 10W*
4444-0700-011-UNV-ND	2	
4444-0700-022-120-LTE	2-4	1-2
4445-0700-040-120-LTE	7-8	3
4443-0700-014-UNV-D2	3	1
4443-0700-025-UNV-D2	4-5	2
4443-0700-035-UNV-D2	6-7	3
4444-0700-007-UNV-D10	1	
4450-0700-030-UNV-ED10	1-6	1-2
4450-0700-038-UNV-ED10	1-8	1-3
4450-0700-030-UNV-SD10	1-6	1-2
4448-0700-100-UNV-SD10 (4 led output)	1-20 5 max per led output	1-8 2 max per led output

Outdoor rated drivers

Driver box model	Min-max units	
	ILBIO02 4W*	ILBIO05 10W*
4548-0700-011-UNV-ND	2	
4548-0700-022-120-LTE	2-4	1-2
4548-0700-040-120-LTE	7-8	3
4548-0700-014-UNV-D2	3	1
4548-0700-025-UNV-D2	4-5	2
4548-0700-035-UNV-D2	6-7	3
4548-0700-007-UNV-D10	1	
4549-0700-030-UNV-ED10	1-6	1-2
4549-0700-038-UNV-ED10	1-8	1-3
4549-0700-030-UNV-SD10	1-6	1-2
4549-0700-100-UNV-SD10 (4 led output)	1-20 5 max per led output	1-8 2 max per led output

* Wattage requirement for one (1) fixture (remote fixture only).

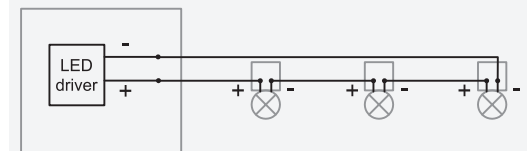
DRIVER BOX MODEL DESCRIPTION

DIMENSION	CONSTANT CURRENT	WATTAGE	VOLTAGE	DIMMING PROTOCOL
4443 5" x 4" x 3" (127 x 102 x 76mm)	0700 700mA	011 to 100 11W to 100W	120 120V	ND No dimming Max distance: 9m (30ft) ¹
4444 6" x 4" x 3" (152 x 102 x 76mm)			UNV 120-277V	D10 0-10V Max distance: 9m (30ft) ¹ (down to 10%)
4450 8" x 8" x 4" (203 x 203 x 102mm)				D2 Lutron Hi Lume® 1% EcoSystem™ (Soft-on, Fade to Black) Max distance: 9m (30ft) ¹ (down to 1%)
4448 10" x 8" x 4" (254 x 203 x 102mm)				ED10 0-10V ELDOLED ECOdrive Max distance: 36m (118ft) ¹ (down to 1%)
4549 14.5" x 5" x 3.5" (368 x 127 x 89mm)				SD10² 0-10V ELDOLED SOLOdrive Max distance: 36m (118ft) ¹ (down to 0.1%)
				LTE Leading edge and trailing edge (ELV and TRIAC) Max distance: 9m (30ft) ¹ (down to 15%)

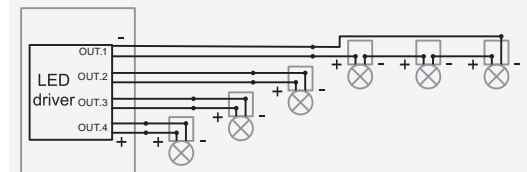
(1) Max distance cable calculated for 16AWG cable. Contact customer service for longer remote distance.

WIRING DIAGRAMS

Multiple luminaires must be connected in series (home run or fixture chain)

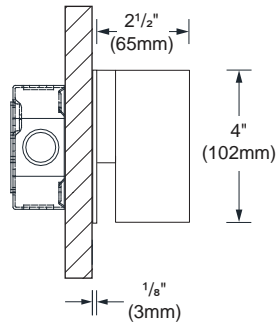


(2) Luminaires must be connected on separate led output (1-4). Multiple luminaires can be connected in series on a led output (home run or fixture chain). Do not exceed the wattage and voltage range on each led output.

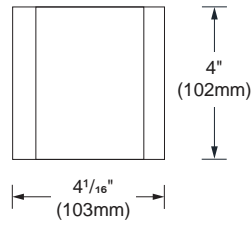


DIMENSIONS

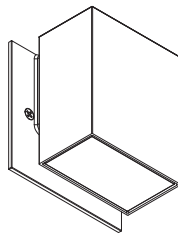
ILBIO02



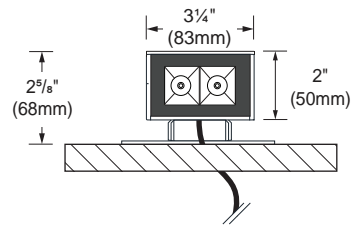
SIDE VIEW



FRONT VIEW

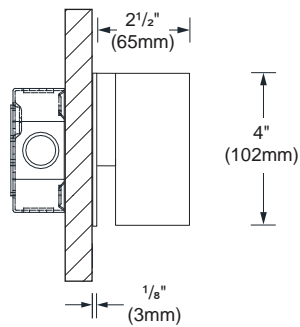


ISOMETRIC VIEW

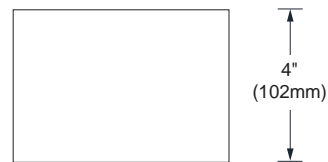


BOTTOM VIEW

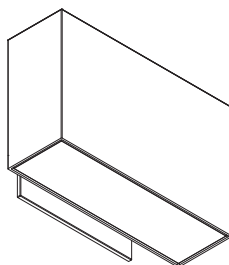
ILBIO05



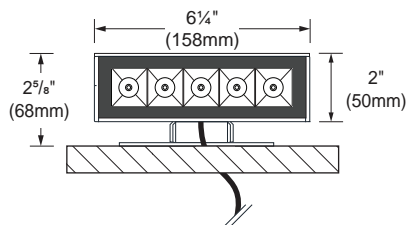
SIDE VIEW



FRONT VIEW



ISOMETRIC VIEW



BOTTOM VIEW

PHOTOMETRIC DATA

Visit iguzzini.com/us/ for complete photometric data.

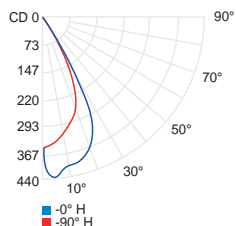
ILBIO02



CCT (K)	CRI	LOAD (W)	OPTIC	LUMENS (lm)	EFFICACY (lm / W)	MAX CANDELA (cd)	B.U.G	MODEL
3000K	90	5.4W	Wide flood 45°	273	50	439	B0-U0-G0	ILBIO02-W-930-WF

Use multiplier table for other CCT and CRI output data. Efficacy based on IESNA LM-79 test reports.

Wide flood 45° (3000K, 90CRI)



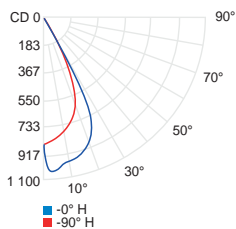
ILBIO05



CCT (K)	CRI	LOAD (W)	OPTIC	LUMENS (lm)	EFFICACY (lm / W)	MAX CANDELA (cd)	B.U.G	MODEL
3000K	90	12.5W	Wide flood 45°	651	52	1 047	B1-U0-G0	ILBIO05-W-930-WF

Use multiplier table for other CCT and CRI output data. Efficacy based on IESNA LM-79 test reports.

Wide flood 45° (3000K, 90CRI)



CCT options	2700K	3000K	3500K	4000K
CRI options	90CRI	90CRI	90CRI	90CRI
Multiplier	1	1	1.1	1.14