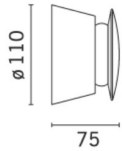
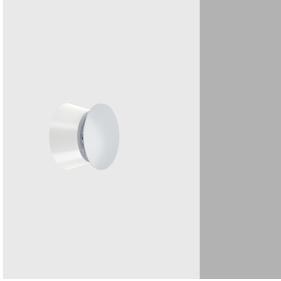


Last information update: December 2024

Product configuration: BU17

BU17: Wall/ceiling mounted, ø110mm luminaire with an electronic transformer - Warm White - 360° radial effect

**Product code**

BU17: Wall/ceiling mounted, ø110mm luminaire with an electronic transformer - Warm White - 360° radial effect

Technical description

Wall and ceiling-mounted luminaire, complete with driver and designed for use with LED lamps and a patented 360° radial effect optic. The product consists of a support base and screen. The base is made of phosphochromatization treated, die-cast aluminium, with a double base coat and passivation at 120°C. It is coated with liquid acrylic paint, cured at 150 °C to guarantee a high level of weather and UV ray resistance. The screen is made of PMMA. All the screws used are made of A2 stainless steel.

Installation

Wall and ceiling mounted by means of a stainless steel wall fixture plate.

Colour

White (01) | White / Chrome (E4)* | White / Grey (E5)*

Weight (Kg)

0.59

* Colours on request

Mounting

wall surface|ceiling surface

Wiring

Product supplied with an outlet cable L=200mm. Equipped with electronic ballast.

Notes

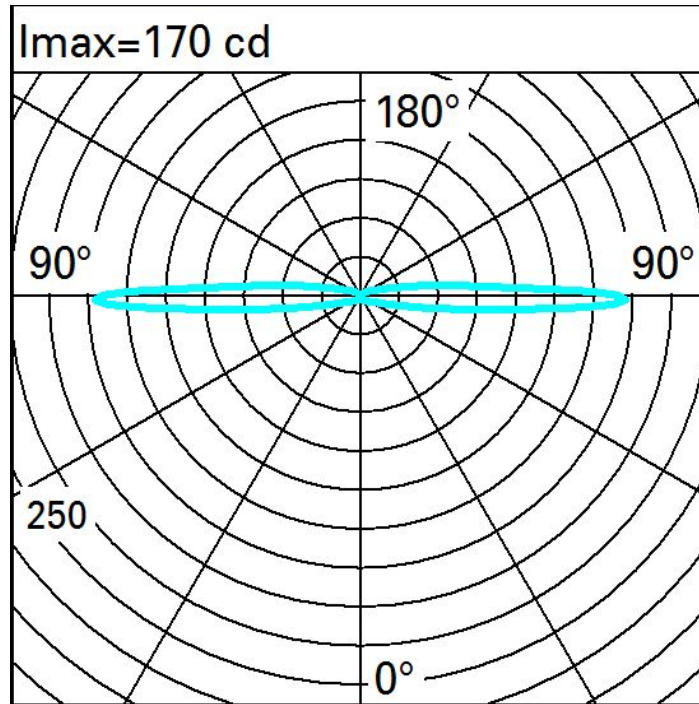
The chrome-coloured version of Trick (10) can only be used internally.

Complies with EN60598-1 and pertinent regulations

**Technical data**

Im system:	292	Life Time LED 2:	100,000h - L80 - B10 (Ta 40°C)
W system:	7.2	Lamp code:	LED
Im source:	810	Number of lamps for optical assembly:	1
W source:	5.7	ZVEI Code:	LED
Luminous efficiency (lm/W, real value):	40.5	Number of optical assemblies:	1
Im in emergency mode:	-	Intervallo temperatura ambiente:	from -30°C to 50°C.
Total light flux at or above an angle of 90° [Lm]:	120	Lifetime of product at ambient operating temperature:	≥ 50.000h Ta=40°C
Light Output Ratio (L.O.R.) [%]:	36	Power factor:	See installation instructions
CRI (minimum):	80	Inrush current:	20 A / 170 µs
Colour temperature [K]:	3000	Maximum number of luminaires of this type per miniature circuit breaker:	B10A: 31 luminaires B16A: 50 luminaires C10A: 52 luminaires C16A: 85 luminaires
MacAdam Step:	3	Overvoltage protection:	2kV Common mode & 2kV Differential mode
Life Time LED 1:	100,000h - L80 - B10 (Ta 25°C)		

Polar



Isolux

