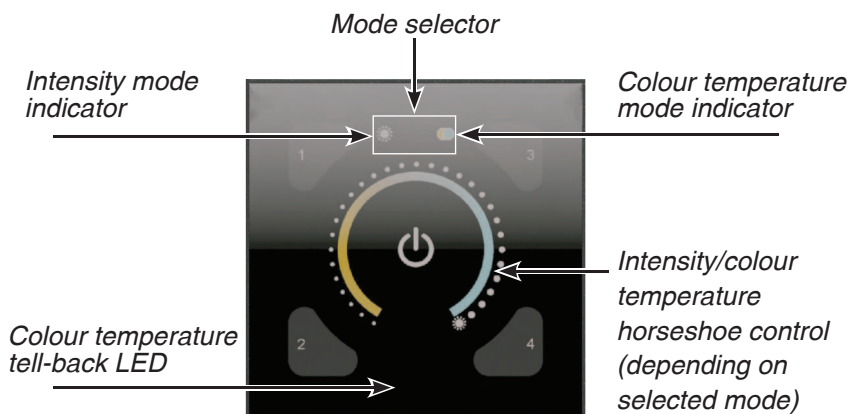


X479

Touchpanel Tunable White



Touchpanel

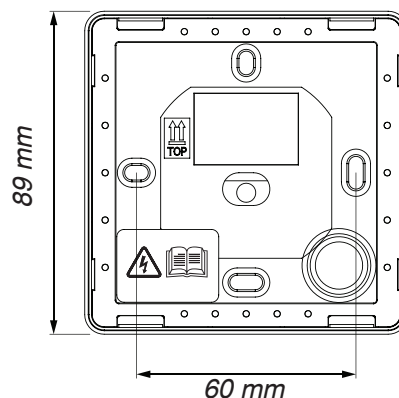


Description

The panel X479 incorporates touch-sensitive technology to provide an intuitive and familiar user experience. Integrated Bluetooth® connectivity.

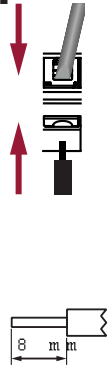
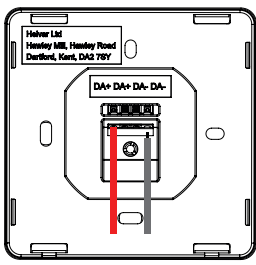
The panel range allows for easy-to-use control of lighting control systems and DALI Type 8 Tunable white luminaires. Functions: modify, store and recall intensity, colour temperature or colour scenes.

Dimensions

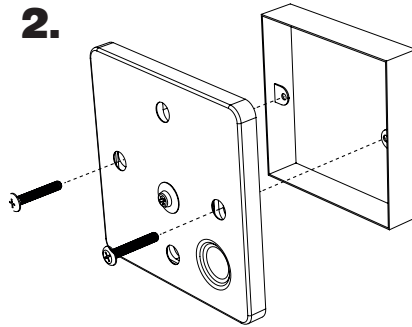


Base installation

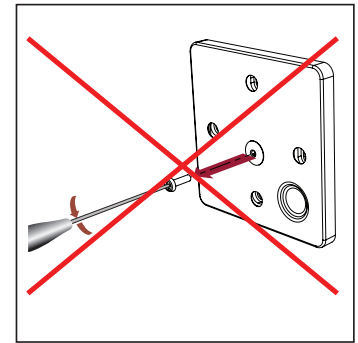
1.



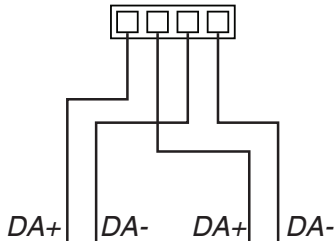
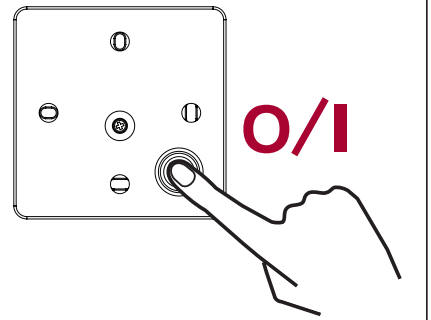
2.



Remove only during installation of the panel



Test

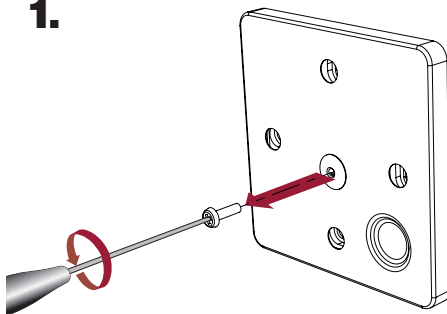


Front Panel installation

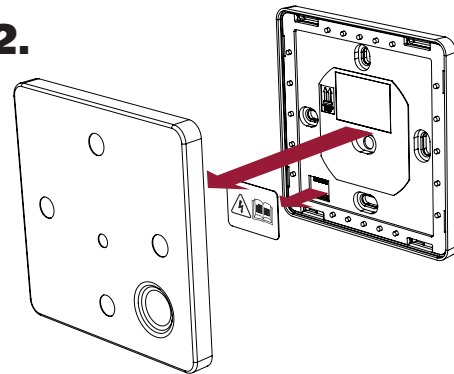


ISOLATE POWER

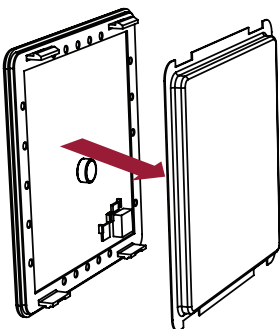
1.



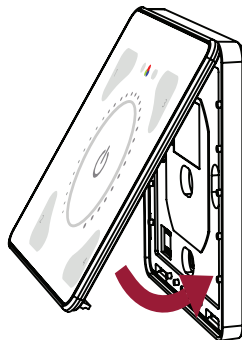
2.



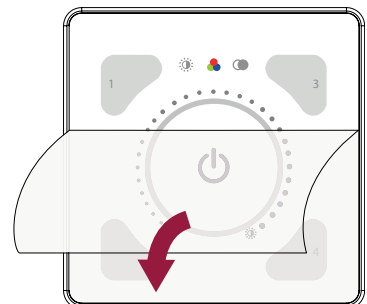
3.



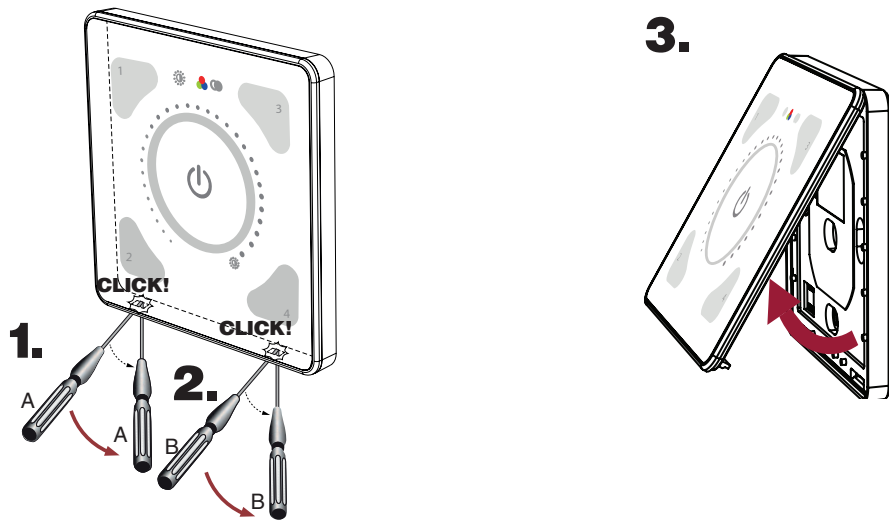
4.



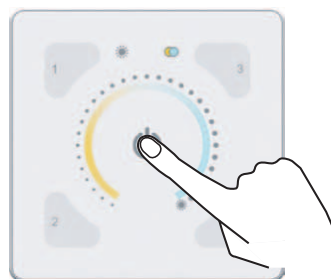
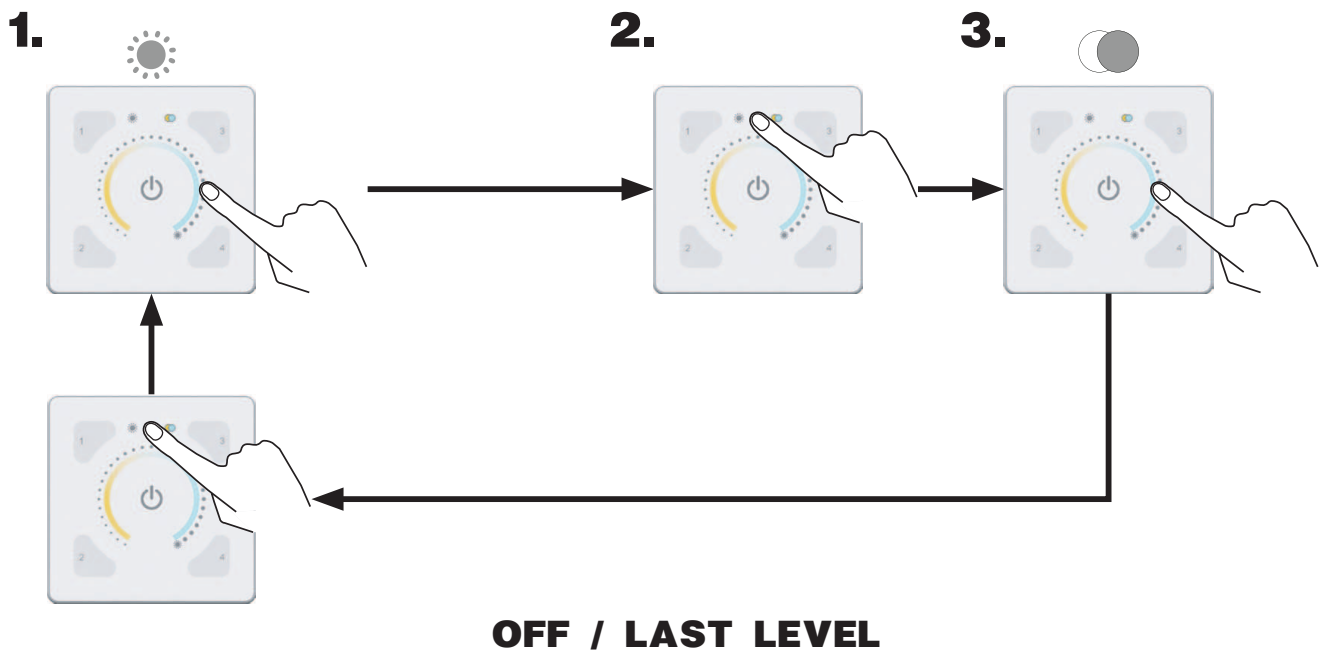
5.



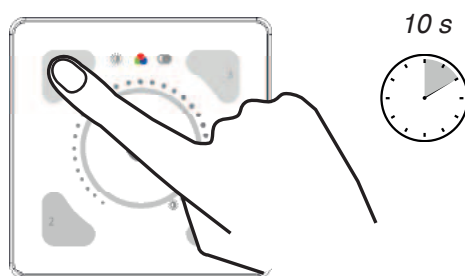
Front panel removing



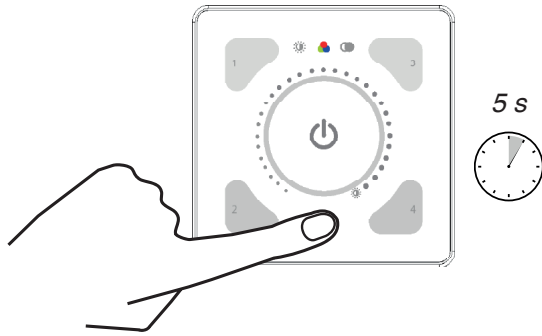
Functions



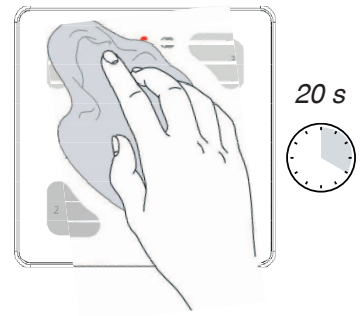
Saving scenes



Cleaning

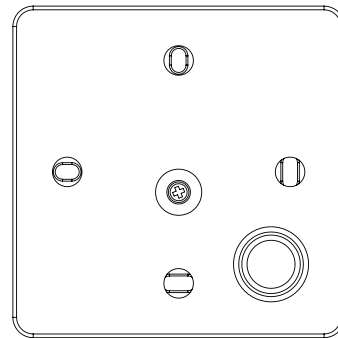


Dry cloth only



Bluetooth control

SceneSet Helvar



Technical data

Connections DALI cable: Push-fit terminals.

Wire section: 0.5 mm² – 1.5 mm² solid or stranded.

Power DALI supply input: 9.5 V – 22.5 V

DALI consumption: Typical: 22 mA @ 16 V Maximum: 40 mA @ 9.5 V

Material: frontal Glass, wall base Flame-retardant PC/ABS

IP 30

Operating Ambient temperature: 0 °C to +50 °C

Conformity and standards DALI standard: IEC 62386 (Part 209: CT and x-y control only)

