




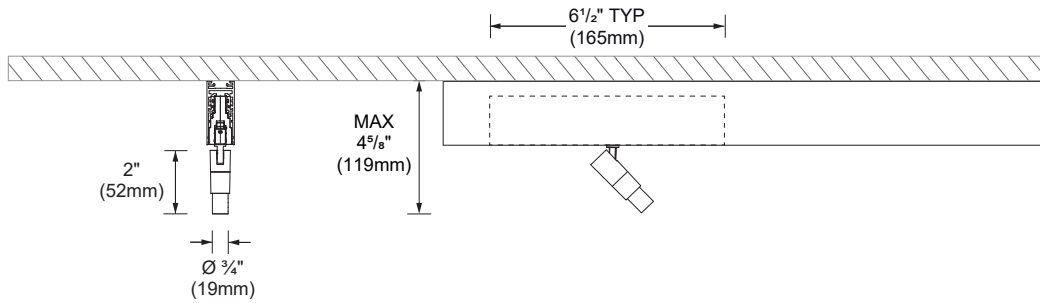
Palco LV Beamer track projector is designed to create a cone-shaped light distribution with adjustable light distribution from 10° to 65°. The desired beam can be achieved by simply rotating the front lens providing a sharp and well-defined illumination with no halo effects or soft edges. Palco pleasing aesthetic deliver precise beam distribution with a miniaturized optical system. Ideal for application in exhibition spaces, retail, hospitality and residences. To be installed on the Superrail 48V track system with a rapid tool-free connecting system. The adapter includes dimming capability allowing each light module to be adjusted separately.



<b>Luminaire characteristics:</b>	<b>Power input:</b> 4.9W (system wattage) <b>Lumens:</b> Up to 112lm (for 3000K, 90CRI) <b>Luminaire efficacy:</b> Up to 22lm/W
<b>Source:</b>	White LED (LM-80), 2700K: 90CRI, 3000K: 90CRI, 4000K: 90CRI.
<b>Lumen maintenance:</b>	80% of initial lumens at 50 000 hours (L80) (LM79)
<b>Optic:</b>	Manual focusing from 10° to 65° High level of visual comfort.
<b>Adjustment:</b>	Tilt 90° Pan 360°
<b>Material:</b>	Body: Die-cast zamak, Adapter: Thermoplastic material, High definition lens: Antireflexion glass.
<b>Mounting:</b>	Mechanical fastening with included adapter on Superrail track
<b>Electrical:</b>	Superrail 48V track with remote power supply (Class 2 wiring)
<b>Dimming:</b>	0-10V single channel for complete track control. DALI individual fixture addressing and control. Refer to iGuzzini Superrail track specification for dimming options.
<b>Finish:</b>	Black or white (RAL9010) painted finish.
<b>Weight:</b>	0.18lb (0.08kg)
<b>Warranty:</b>	5 year limited warranty.
<b>Rating:</b>	IP20
<b>Certification:</b>	 cULus listed for dry location.



**DIMENSION**



**LED COLOR FIDELITY DATA**

CCT	R1	R2	R3	R4	R5	R6	R7	R8	R9	R10	R11	R12	R13	R14	R15	Rf	Rg	Melanopic ratio
2700K	92	95	98	93	92	95	94	83	61	88	93	83	93	98	88	93	97	0.492
3000K	93	97	98	92	93	97	90	79	55	93	93	85	94	100	88	92	98	0.547
4000K	95	99	96	89	92	96	90	84	66	97	90	74	97	99	91	88	94	0.782

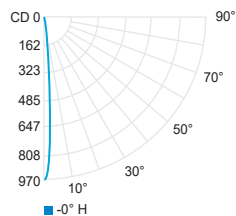
**PHOTOMETRIC DATA**

Visit [iguzzini.com/us](http://iguzzini.com/us) for complete photometric data.

CCT (K)	CRI	LOAD (W)	OPTIC	LUMENS (lm)	EFFICACY (lm / W)	MAX CANDELA (cd)	MODELS
3000K	90	4.9W	Spot 10°	23	4	966	IPLC-SR1-19-930-BE
			Flood 65°	112	22	133	IPLC-SR1-19-930-BE

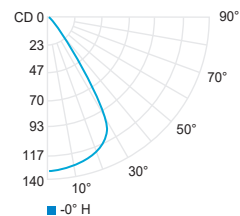
\*USE MULTIPLIER TABLE FOR OTHER CCT AND CRI OUTPUT DATA

Spot 10° (3000K, 90CRI)



Center beam fc	Beam width ft
2ft	242 0.3
4ft	60.4 0.5
6ft	26.8 0.8
8ft	15.1 1.0
10ft	9.66 1.3
12ft	6.71 1.5

Wide flood 65° (3000K, 90CRI)



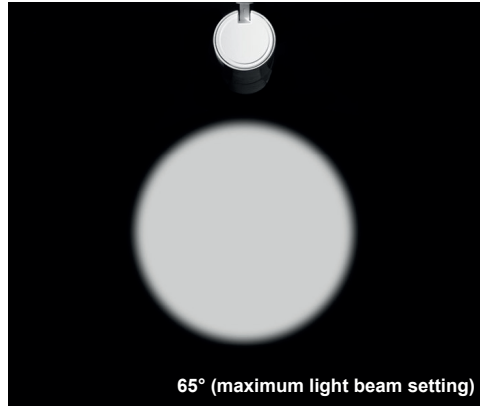
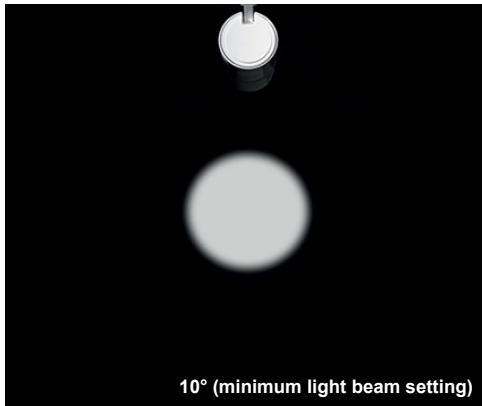
Center beam fc	Beam width ft
2ft	33.2 2.5
4ft	8.29 5.0
6ft	3.68 7.4
8ft	2.07 9.9
10ft	1.33 12.4
12ft	0.92 14.9

CCT options	2700K	3000K	4000K
CRI options	90CRI	90CRI	90CRI
<b>Multiplier</b>	<b>0.91</b>	<b>1</b>	<b>1.05</b>

### LIGHTING EFFECT

The optic system, combined with the option of manual adjustment, provided a sharp and well-defined illumination with no halo effects or soft edges.

### PALCO LV BEAMER Ø 19MM (¾")



### ACCESSORIES

EXTRA LUMINAIRE ADAPTER (NO LOCK)

- IPB60-01 - White finish
- IPB60-02 - Black finish



### ORDERING INFO

**IPLC - SR1 - 19 - - BE -**  
FIXTURE

#### MODEL

**IPLC-SR1** - Palco LV single for Superrail <sup>(1)</sup>

#### DIMENSION

**19** - Ø 19mm (¾")

#### LED

**927** - 2700K, 90 CRI       **930** - 3000K, 90 CRI       **940** - 4000K, 90 CRI

#### OPTIC

**BE** - Beamer

#### FINISH

**01** - White       **02** - Black

<sup>(1)</sup> Adapter IPB60 for Superrail included