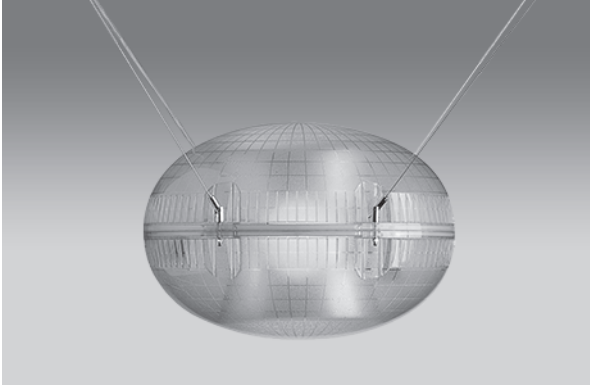


Project name: _____

Type: _____



Pendant luminaire with direct or direct/indirect light distribution. The diffuser is sealed and waterproof, making it suitable for interior and exterior application.

Luminaire characteristics:

Power input: 39 or 41W (Direct)
 54 or 57W (Indirect&direct).

Lumens: 3798 lm (delivered Direct)
 4967 lm (delivered Indirect&direct)

Luminaire efficacy: 92 or 97 lm/W (Direct)
 87 or 92 lm/W (Indirect&direct)

Source: White LED, LM-80 tested.
 3000K: 80CRI.
 4000K: 80CRI.

Lumen maintenance: >80% of initial lumens at 50 000 hours (L80) (LED) / LM-79 tested.

Optics: General lighting.

Material:

Body: 2 polycarbonate shells.
 Diffuser: Polycarbonate with photoengraved surface.
 Reflector: Superpure microperforated aluminum .
 Hardware: Silicone gaskets and M24 nickel-plated brass cable gland.

Electrical: High efficiency electronic power supply, rated 50 000 hours, 120-277V.

Mounting: Suspended ceiling mounting by 4 aircraft cables (78" long - 2m) connected to a standard 4" Jbox. Inclination of suspension cables max 45°.

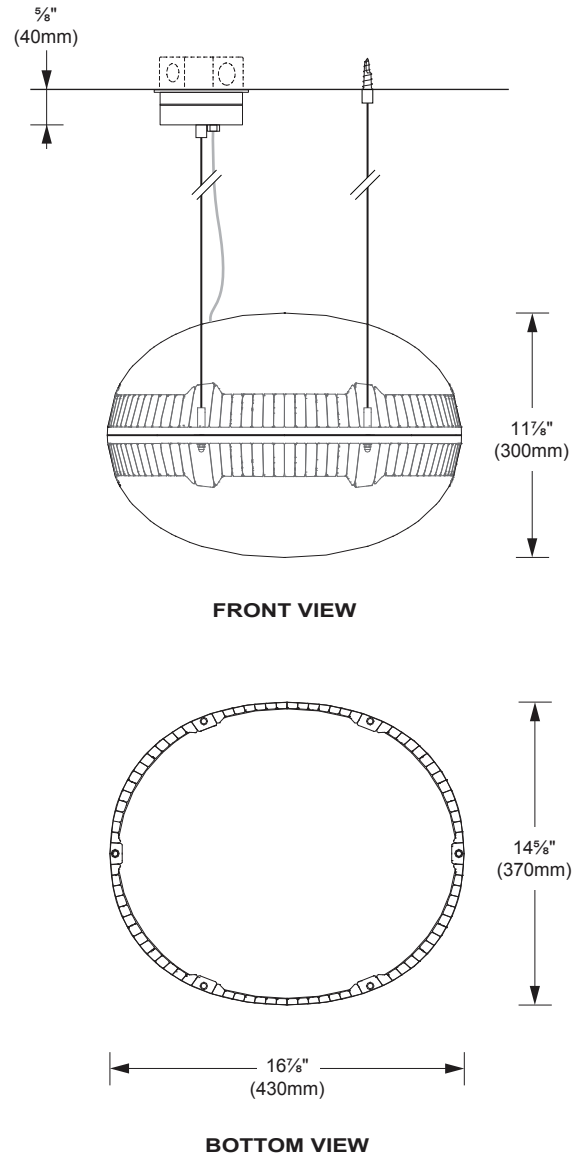
Finish: Frosted .

Weight: 12lbs (5.44kg).

Warranty: 5 year limited warranty.

Certification: cULus listed for damp location.

Ratings: IP66.

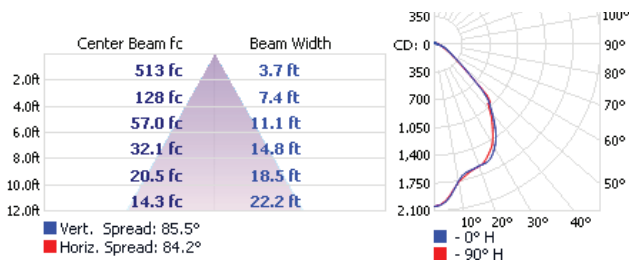


Project name: _____

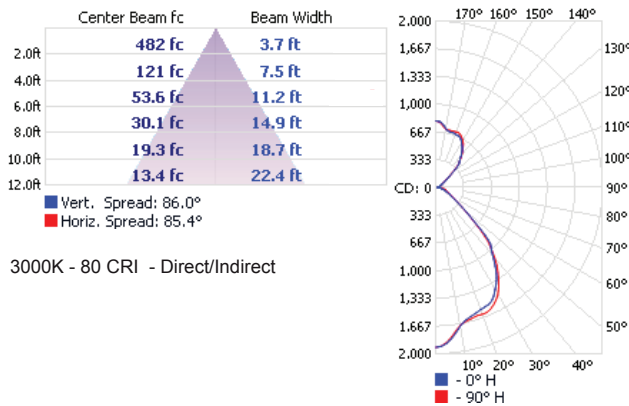
Type: _____

TECHNICAL DATA
(DIRECT ONLY)

LOAD (W)	CCT (K)	CRI	OPTIC	DELIVERED LUMENS (lm)	LUMINAIRE EFFICACY (lm / w)	CENTER BEAM CANDLE POWER (cd)	MODEL
39W	4000K	80	General lighting	3798	97	2052	I.N308
41W	3000K			3798	92	2052	I.N309
54W	4000K			4967	92	1929	I.N310
57W	3000K			4967	87	1929	I.N311



3000K - 80 CRI - Direct



3000K - 80 CRI - Direct/Indirect

Project name: _____

Type: _____

ORDERING INFO

MODEL	VOLTAGE	FINISH
<input type="radio"/> I.N308 - 4000K, Direct	<input type="radio"/> UNV - 120-277V	<input type="radio"/> 00 - Frosted
<input type="radio"/> I.N309 - 3000K, Direct		
<input type="radio"/> I.N310 - 4000K, Indirect&Direct		
<input type="radio"/> I.N311 - 3000K, Indirect&Direct		

DUE TO CONTINUOUS IMPROVEMENTS, THE INFORMATION HEREIN MAY BE CHANGED WITHOUT NOTICE.

LAST UPDATE: AUGUST 16, 2016

NA - R2