

Last information update: October 2024

**Product configuration: P590**

P590: 5 - cell Recessed luminaire - LED - Warm white - Spot optic



**Product code**

P590: 5 - cell Recessed luminaire - LED - Warm white - Spot optic

**Technical description**

rectangular miniaturised recessed luminaire with 5 optical elements with LED lamps - fixed optics - spot beam angle. Main body with die-cast aluminium radiant surface, version with perimeter surface frame. Metallised thermoplastic high definition optics, integrated in a rear position in the black anti-glare screen; the structure of the optical system prevents a pinpoint effect, allowing precise, circular light distribution and emission with controlled glare . Warm white LED

**Installation**

recessed with steel wire springs for false ceilings from 1 to 25 mm thick - preparation hole 37 x 141

**Colour**

White (01) | Black / Black (43) | Black / White (47)

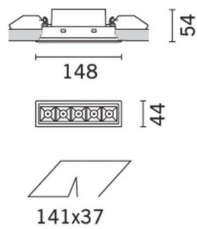
**Weight (Kg)**

0.3

**Mounting**

wall recessed|ceiling recessed

Complies with EN60598-1 and pertinent regulations



IP20

IP23

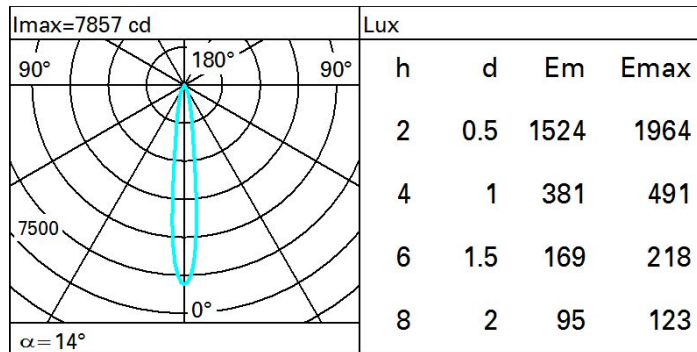
On the visible part of the product once installed



**Technical data**

lm system:	820	CRI (minimum):	90
W system:	10	CRI (typical):	92
lm source:	1000	Colour temperature [K]:	3000
W source:	10	MacAdam Step:	3
Luminous efficiency (lm/W, real value):	82	Lamp code:	LED
lm in emergency mode:	-	Number of lamps for optical assembly:	1
Total light flux at or above an angle of 90° [Lm]:	0	ZVEI Code:	LED
Light Output Ratio (L.O.R.) [%]:	82	Number of optical assemblies:	1
Beam angle [°]:	14°	LED current [mA]:	700

**Polar**



## Utilisation factors

R	77	75	73	71	55	53	33	00	DRR
K0.8	74	70	68	66	70	67	67	64	78
1.0	77	74	72	70	73	71	71	68	83
1.5	81	79	77	75	78	76	75	73	89
2.0	84	82	80	79	81	79	78	76	93
2.5	85	84	83	82	83	82	81	79	96
3.0	86	85	84	84	84	83	82	80	98
4.0	87	86	86	85	85	85	83	82	99
5.0	88	87	87	87	86	85	84	82	100

---