

IN60 Space uses catadioptric principle to create an elegant and extremely efficient light emission. Decorative but also comfortable, the Opti Diamond optic will deliver reliable color consistency and professional performances. The metallized modular optic (MMO) will create perfect general lighting on horizontal surfaces. Available as single modules or continuous runs.

Luminaire characteristic:

Power input: Up to 7.2W/ft
Lumens: Up to 1 037lm/ft (3000K, 80CRI)
Luminaire efficacy: Up to 152lm/W

Source:

White LED (LM-80)
2700K: 80CRI, 90CRI,
3000K: 80CRI, 90CRI,
3500K: 80CRI, 90CRI,
4000K: 80CRI, 90CRI.

Lumen maintenance:

80% of initial lumens at 50 000 hours (L80) (LM-79).

Optic:

General light space optic with Opti diamond technology or Metallized modular optic

Material:

Body: Extruded aluminum
End caps: Die-cast aluminum
Reflector: Thermoplastic

Mounting:

Surface mounted using anchoring screws.
Installs onto a standard 4" octagonal junction box.
Supplied with white painted square canopy.

Electrical:

Integral high efficiency electronic power supply,
rated 50 000 hours, 120-277V.

Dimming:

D01: 0-10V (120-277V), down to 01%.
D10: 0-10V (120-277V), down to 10%.
D2B: Lutron Hi-lume® 1% EcoSystem™ (120-277V),
down to 1%.
SD10: EldoLED SOLOdrive, 0-10V (120-277V),
down to 0.1%.
ED10: EldoLED ECOdrive, 0-10V (120-277V),
down to 1%.
SDA: EldoLED SOLOdrive, DALI (120-277V),
down to 0.1%.
EDA: EldoLED ECOdrive, DALI (120-277V),
down to 1%.

Finish:

White RAL9010 or black RAL9004 painted finish.
Gray RAL9006 available on request.

Weight:

1.72lbs/ft (2.56kg/m)

Warranty:

5 year limited warranty.

Ratings:

IP20

Certification:



cULus listed for damp location. Interior use only.

ORDERING INFO



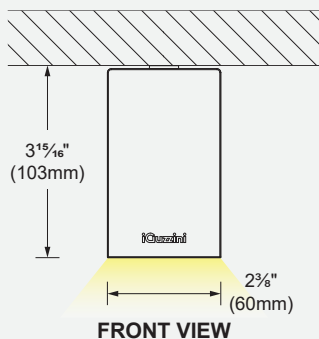
PRODUCT CODE

--	--	--	--	--	--	--	--

MODEL	LENGTH	OUTPUT	LED	OPTIC	VOLTAGE	FINISH ¹ (PROFILE / BAFFLE)	DIMMING
IN6064 Surface	2' to 96'	BO Base output	827* 2700K, 80CRI	S Space	120 120V	<i>Space</i>	<i>120V</i>
			830 3000K, 80CRI				21 White / black
		835 3500K, 80CRI	31 White / white				<i>120-277V (UNV)</i>
		840 4000K, 80CRI	02 Black / black				ND No dimming
		927* 2700K, 90CRI	23 Black / white				D01 0-10V (down to 1%)
		930 3000K, 90CRI	<i>MMO</i>				D10 0-10V (down to 10%)
		935 3500K, 90CRI	39 White / aluminum				D2B Lutron High-Lume® 1% EcoSystem™ (down to 1%)
		940 4000K, 90CRI	40 Black / aluminum				SDA EldoLED SOLOdrive, DALI (down to 0.1%)
							EDA EldoLED ECOdrive, DALI (down to 1%)
							SD10 EldoLED SOLOdrive, 0-10V (down to 0.1%)
		ED10 EldoLED ECOdrive, 0-10V (down to 1%)					

¹ Gray finish available on request, contact customer service for more information.
* LED options may require a longer lead time. Please contact customer service for details.

DIMENSION AND CONFIGURATION



LENGTHS

- | | |
|-----|------------------------|
| 2' | |
| | L: 1'-11 5/8" (0.600m) |
| 3' | |
| | L: 2'-11 3/8" (0.898m) |
| 4' | |
| | L: 3'-10 1/8" (1.196m) |
| 5' | |
| | L: 4'-10 7/8" (1.494m) |
| 6' | |
| | L: 5'-10 5/8" (1.792m) |
| 7' | |
| | L: 6'-10 1/8" (2.090m) |
| 8' | |
| | L: 7'-10 1/8" (2.388m) |
| 12' | |
| | L: 12' (3.580m) |
| 16' | |
| | L: 15'-7 7/8" (4.772m) |
| 24' | |
| | L: 23'-5 3/4" (7.156m) |

LED COLOR FIDELITY DATA

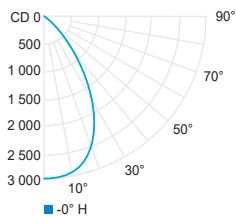
CRI	CCT	R1	R2	R3	R4	R5	R6	R7	R8	R9	R10	R11	R12	R13	R14	R15	Rf	Rg	Melanopic ratio
80	3000K	82	93	94	80	82	91	81	58	5	83	80	74	85	98	74	85	95	0.570
	3500K	83	93	95	81	83	90	83	62	10	83	80	69	86	98	77	84	94	0.640
	4000K	81	90	95	81	81	86	85	62	3	76	80	63	83	98	74	83	95	0.700
90	3000K	95	99	95	93	95	95	89	79	57	100	96	82	97	98	90	90	96	0.610
	3500K	95	99	95	92	94	95	88	80	58	99	94	78	98	98	91	89	95	0.690
	4000K	94	100	96	90	93	95	89	81	59	98	92	73	97	98	90	88	95	0.790

PHOTOMETRIC DATA

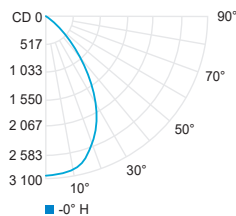
CCT (K)	CRI	OUTPUT	LOAD (W / ft)	OPTIC	BAFFLE FINISH	LUMENS (lm / ft)	EFFICACY (lm / W)	MAX CANDELA (cd)	MODELS
3000K	80	BO	5.4W/ft	Space	Black	709	131	2 385	IN6050-XX-BO830S
			3.4W/ft	Space	White	508	152	1 517	IN6050-XX-BO830S
			4.6W/ft	MMO	Aluminum	616	133	1 792	IN6050-XX-BO830C
		HO	6.8W/ft	Space	Black	887	130	2 981	IN6050-XX-HO830S
			6.8W/ft	Space	White	1 037	152	3 095	IN6050-XX-HO830S
			7.2W/ft	MMO	Aluminum	904	126	2 632	IN6050-XX-HO830C

Use multiplier table for other CCT and CRI output data. Efficacy based on IESNA LM-79 test reports. Visit iguzzini.com/us for complete photometric data.

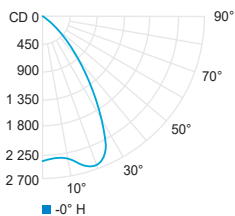
HO Space black (3000K, 80CRI)



HO Space white (3000K, 80CRI)



HO MMO (3000K, 80CRI)



CCT options	2700K	2700K	3000K	3000K	3500K	3500K	4000K	4000K
CRI options	80CRI	90CRI	80CRI	90CRI	80CRI	90CRI	80CRI	90CRI
Multiplier	1	1	1	0.83	1	0.83	1.05	0.89