

Project name: _____

Type: _____



Surface mounted luminaire with a low physical presence that is ideal for highlighting the details on buildings' facades. Design by Dean Skira

Luminaire characteristics:

Input load: 3W

Lumens: 160lm

Luminaire efficacy: 53lm/W

Source: LED module, (LM-80 tested)

3000K: 80CRI

Lumen maintenance: >80% of initial lumens at 50 000 hours (L80),(LM-79 tested)

Optics: Wall washer effect

Mounting: Wall or ceiling mounted, installs on standard 4" junction box. Floor mounting in dry location only (interior)

Material:

Body: Die-cast aluminum

Diffuser: PMMA lens

Hardware: Stainless steel screws

Electrical: Integral high efficiency power supply, rated at 50 000 hours, 120-277V or see remote power supply options on page 3.

Finish: White RAL9016 or Gray RAL9007 painted finish with a high level of weather and UV resistance. The semi-gloss finish coating is electrostatically applied, durable acrylic enamel baked at high temperatures for superior color retentive finish.

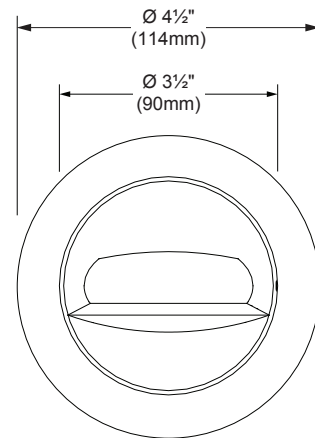
Weight: 0.5lb (0.23kg)

Contact temperature: Less than 50°C (122°F)

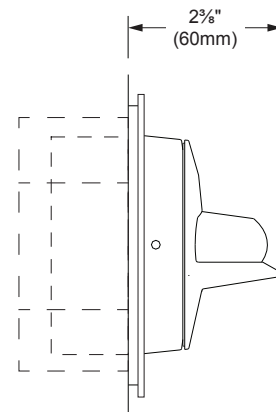
Warranty: 5 year limited warranty

Certification: cULus listed for wet location

Ratings: IP66, IK07



FRONT VIEW



SIDE VIEW

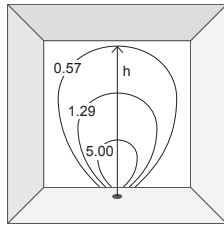
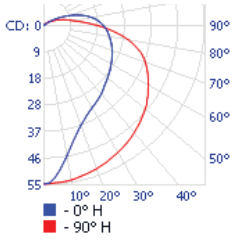
Project name: _____

Type: _____

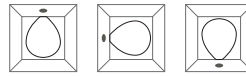
TECHNICAL DATA

Visit iguzzini.com/us for complete photometric data.

LOAD (W)	CCT (K)	CRI	OPTIC	LUMENS (lm)	EFFICACY (lm / w)	MAX CANDELA (cd)	MODEL
3W	3000K	80	Wall washer	160	53	50	I.BU14



Distance (h)	Illuminance
3.3'	5.00 fc
6.5'	1.29 fc
9.8'	0.57 fc



Project name: _____

Type: _____

ORDERING INFO

MODEL	VOLTAGE	FINISH
<input type="radio"/> MODEL <input type="radio"/> I.BU14	<input type="radio"/> VOLTAGE <input type="radio"/> UNV - 120-277V <input type="radio"/> REM - Remote	<input type="radio"/> FINISH <input type="radio"/> 01 - White <input type="radio"/> 15 - Gray

REMOTE POWER SUPPLY OPTION

REMOTE POWER SUPPLY OPTION (TO BE ORDERED SEPARATELY)
Requirement for one (1) fixture: 2.9W, 350mA (for remote fixture only)

4549-0350-019-UNV-ED10

4549-0350-018-UNV-TE

REMOTE POWER SUPPLY OPTION
(TO BE ORDERED SEPARATELY)

Watts	Min-Max QTY	Voltage	Rated	Dimming protocol	Box dimensions	Max distance at full load (18AWG)	Code
19	1-5	120-277V	Outdoor	0-10V ELDOLED ECOdrive	14" X 5" X 3" (356 X 127 X 76mm)	72ft (22m)	4549-0350-019-UNV-ED10
18	1-5	120V	Outdoor	Trailing edge (ELV)	14" X 5" X 3" (356 X 127 X 76mm)	72ft (22m)	4549-0350-018-UNV-TE

WIRING DIAGRAMS

*Multiple luminaires must be connected in series (home run or fixture chain)

