

High-performance outdoor architectural floodlight enhancing urban spaces and bringing life to cities.

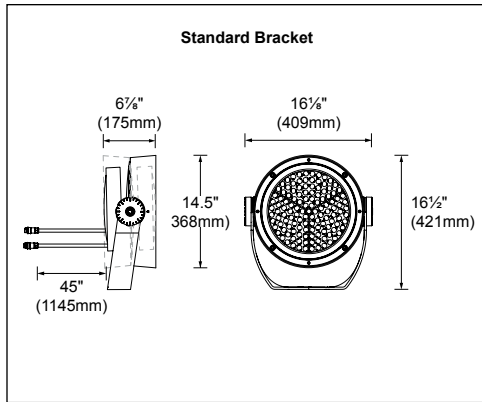


FEATURES

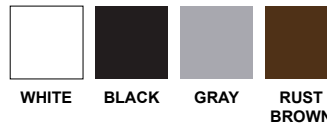
- Delivers 5,427 – 7,519 lm at 3000K, 80CRI
- Up to 69lm/W at 3000K, 80CRI
- DMX for RGBW (120-277V)
- Additional sizing available: Ø12.5" or Ø20.5"
- Max candela of 9,355 – 239,942
- Consult factory for further customization
- Full specification available [page 7](#)

HIGH OUTPUT (118.7W)			
Optic	Lumens (lm)	Efficacy (lm/W)	Max Candela (cd)
Super Spot 8°	7,519	63	239,942
Spot 14°	7,210	60	81,730
Flood 28°	7,004	59	27,660
Wide Flood 42°	6,695	56	11,540

For high output, 3000K, 80CRI

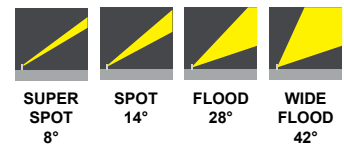


FINISH OPTIONS



Consult factory for custom finishes

OPTIC OPTIONS



ORDERING INFO

PRODUCT CODE EXAMPLE: IAGR-MM-BO-RGBW-SP-REM-02-DMX

MODEL	SIZE	OUTPUT	LED	OPTIC	VOLTAGE	FINISH	DIMMING
IAGR With standard bracket	MM Medium Ø14.5" (368mm)	BO Base Output (88.4W)	RGBW LED	SS Super Spot, 8°	REM Remote	01 White	DMX ² DMX
		HO High Output (118.7W)		SP Spot, 14°		02 Black	
				FL Flood, 28°		15 Gray	
				WF Wide Flood, 42°		F5 Rust Brown	
						RAL# ¹ Custom RAL	

1. Additional fees may apply for custom finish. Contact factory for details.
2. Integral DMX card

ACCESSORIES

To be ordered separately.

OPTIC ACCESSORY CODE EXAMPLE: IX502+IX506

OPTIC ACCESSORIES - More information on page 2 .	
EXTERNAL (1 MAX)	INTERNAL (1 MAX)
<input type="checkbox"/> IX502 Protection Grid (for IK10)	<input type="checkbox"/> IX506 Elliptical Distribution Refractor
<input type="checkbox"/> IX503 Cylindrical Screen	<input type="checkbox"/> IX507 Diffusing Glass
<input type="checkbox"/> IX504 Cylindrical Screen 30°/45°	<input type="checkbox"/> IX505 Longitudinal Louver

CONNECTION ACCESSORY CODE EXAMPLE: IBZQ7+IX555+IX556

CONNECTION ACCESSORIES - More information on page 3-4 .	
IBZQ7 Silicone end cap for connectors + 120 ohm thermal resistance	IX963 Cable kit including
IX555 5 poles male connector IP68 with wetproof end cap	IX964 6 poles female/male connector IP68
IX556 5 poles female/male connector IP68	IX965 Cable kit for parallel connection
4543-00 Wet location junction box	

DRIVER CODE EXAMPLE: IX956



OPTIC ACCESSORIES

To be ordered separately.
For installation, consult instruction sheet.

EXTERNAL (1 MAX)			INTERNAL (1 MAX)		
					
IX502 Protection Grid (for IK10) (Stainless Steel)	IX503 Cylindrical Screen (Black)	IX504 Cylindrical Screen 30°/45° (Black)	IX506 Refractor for elliptical distribution	IX507 Diffusing Glass	IX505 Longitudinal Louver (Black)

REMOTE LED DRIVER OPTIONS

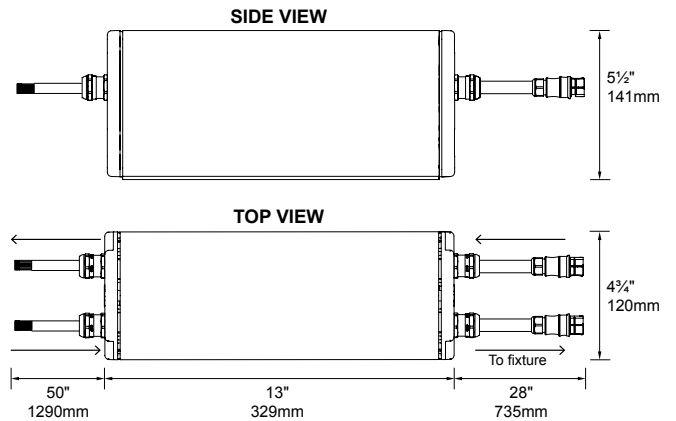
For max cable length, consult instruction sheet.

INCLUDED



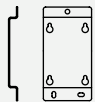
OUTDOOR RATED Driver Box Models

Driver Box Models	PS Power	Min-max units	
		BO (82W)	HO (108W)
IX956 Remote PSU CV48V, 120-227V (UNV) 120W + included mounting bracket I1172.	120W	1	1
IX957 Remote PSU CV48V, 120-227V (UNV) 240W + included mounting bracket I1172.	240W	2	2
IX958 Remote PSU CV48V, 120-227V (UNV) 480W + included mounting bracket I1172.	480W	5	4



EXTRA MOUNTING BRACKET

EXTRA MOUNTING BRACKET

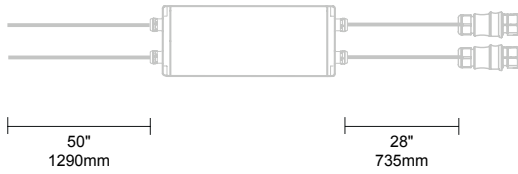


I1172
PSU mounting bracket
(Included with remote PSU)
8.07 x 4.17 x 0.79" (205 x 106 x 20mm)

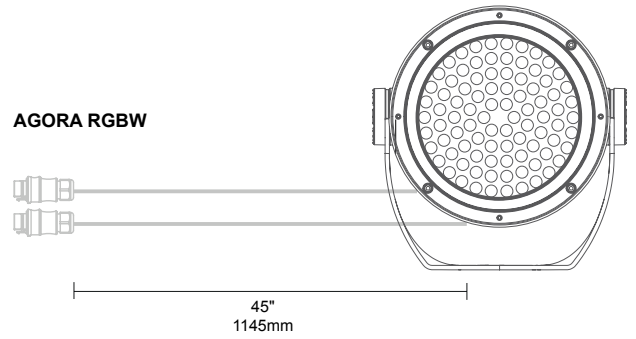
CONNECTION ACCESSORIES

To be ordered separately.

OUTDOOR RATED DRIVER BOX

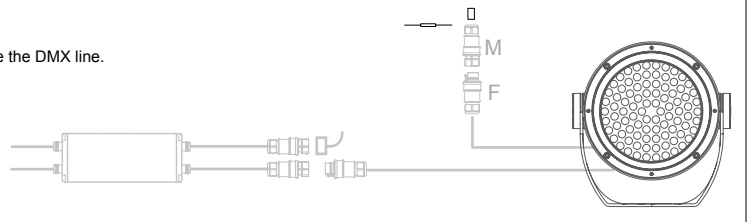
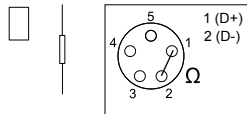


AGORA RGBW



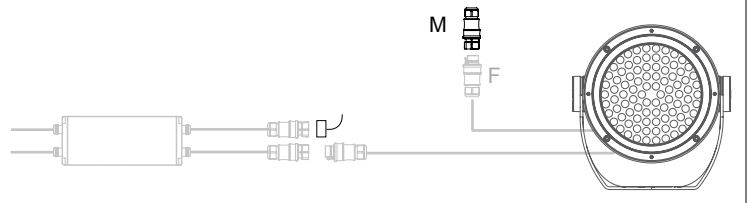
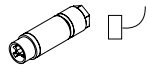
IBZQ7

Silicone end cap for connectors
+ 120 ohm thermal resistance. Add this accessory onto the last module output connector to close the DMX line.



IX555

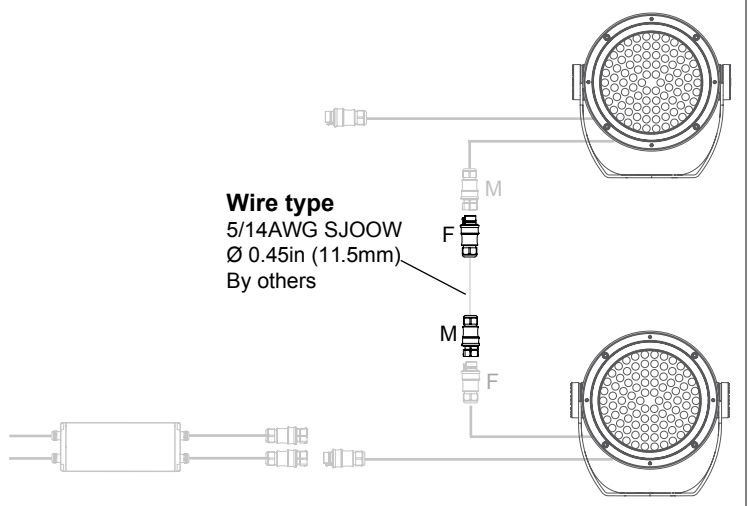
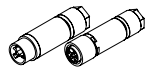
5 poles male connector IP68
with wetproof end cap



IX556

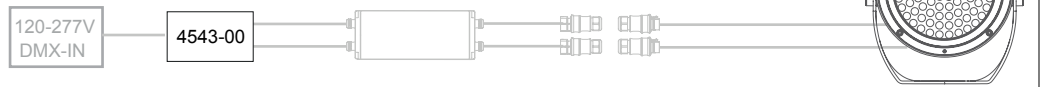
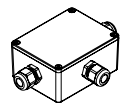
5 poles female/male connector IP68

Connector to achieve extension between 2 fixtures or between fixture and driver box.
Basic cable length between 2 fixtures : 90in (45in from each Agora).
Basic cable length between fixture and driver box: 72in.
Cable not included



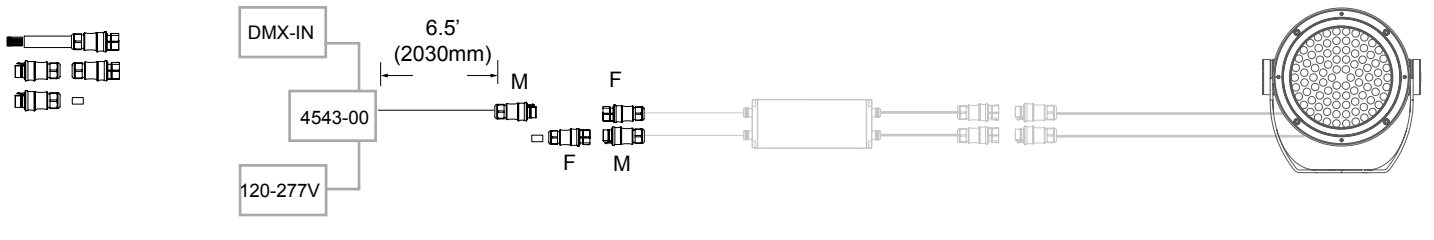
4543-00

Wet location junction box. 3.5 x 4.5 x 2.25in (90 x 115 x 55mm)
Dimension with cable clamps 4.6 x 6.75 x 2.25in (116 x 171 x 55mm)
Includes 3 cable clamps for Ø0.19 to 0.43in (4.8 to 11mm) cable and 1 plug.



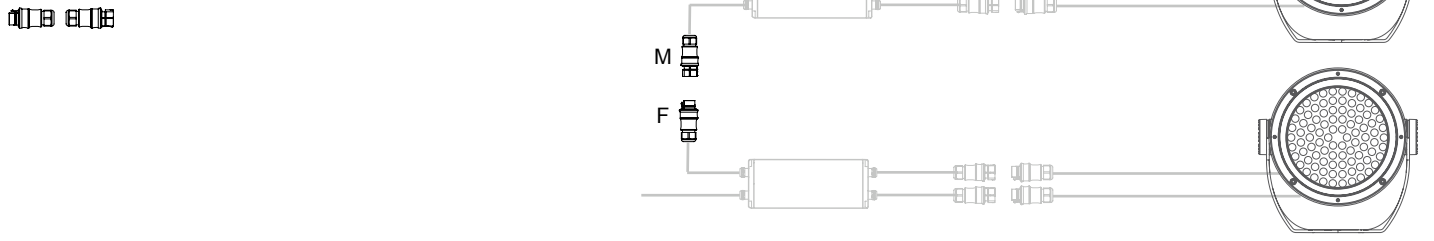
IX963

- Cable kit including:
- 1- 6.5ft of 6 conductor cable with male connector IP68 on one end.
 - 2- 6 poles male connector IP68 (qty 1)
 - 3- 6 poles females connector IP68 (qty 2)
 - 4- Silicone end cap
 - 5- 120 ohm resistance



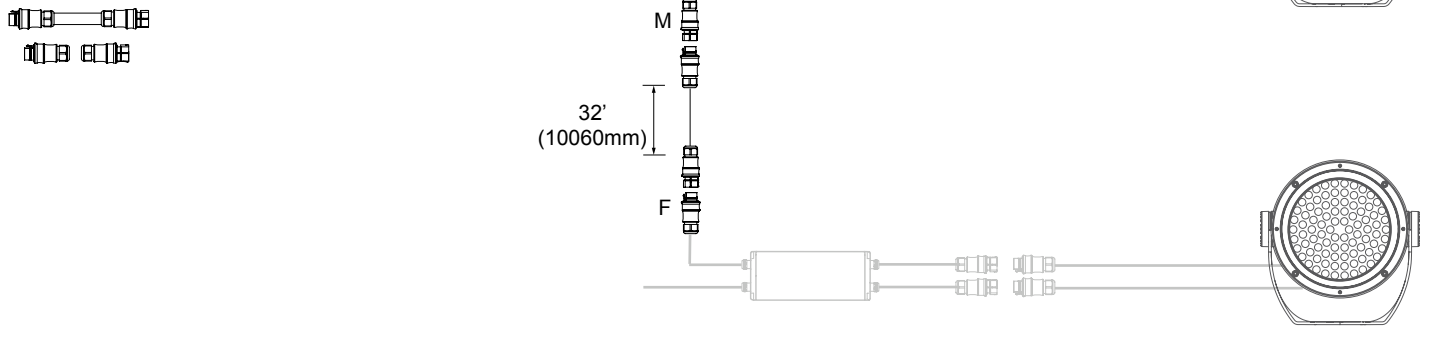
IX964

- 6 poles female/male connector IP68
Connector to achieve parallel connection between 2 driver boxes.



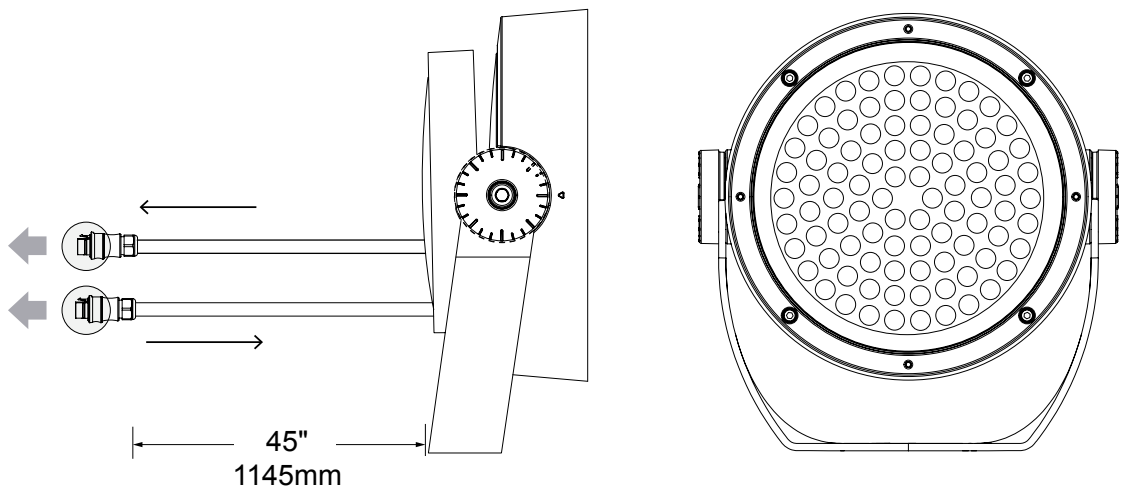
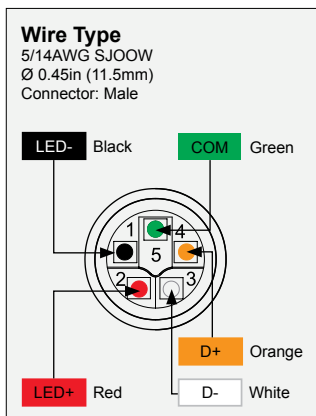
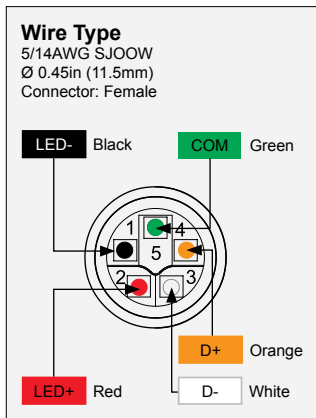
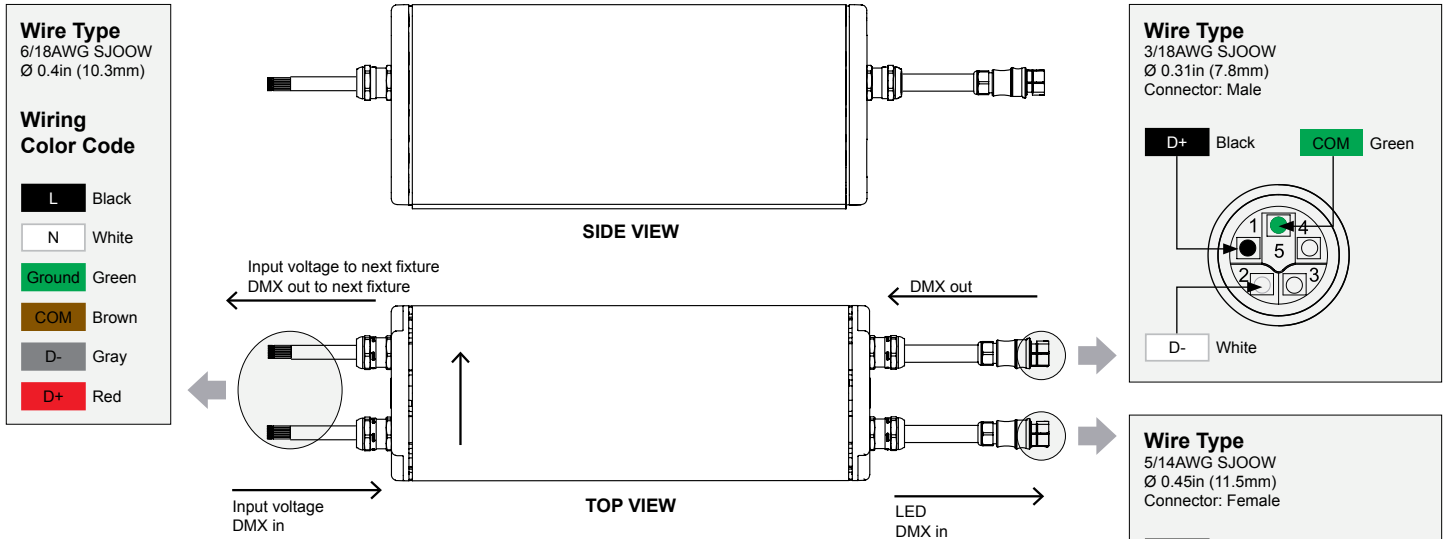
IX965

- Cable kit including:
- 1- 32ft of 6 conductor cable with male connector IP68 on one end and female connector IP68 on the other end.
 - 2- 6 poles male connector IP68 (qty 1)
 - 3- 6 poles females connector IP68 (qty 1)
- For parallel connection.



PRODUCT WIRING OVERVIEW

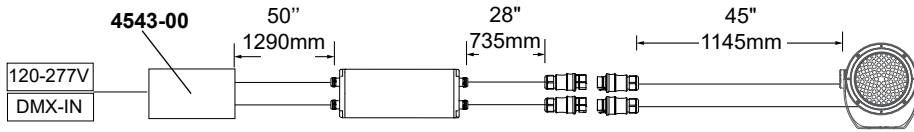
Consult the instruction sheet for more details.



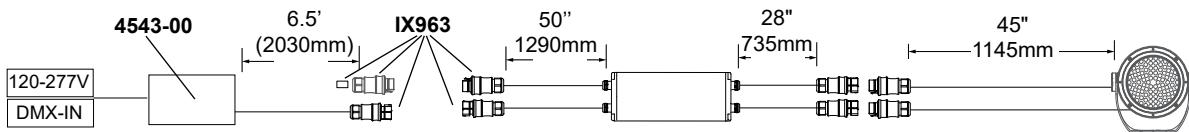
SETUP EXAMPLE

Consult the instruction sheet for more details.

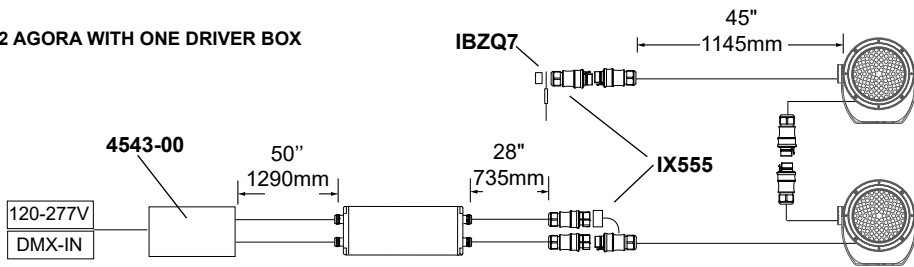
ONE AGORA WITH ONE DRIVER BOX



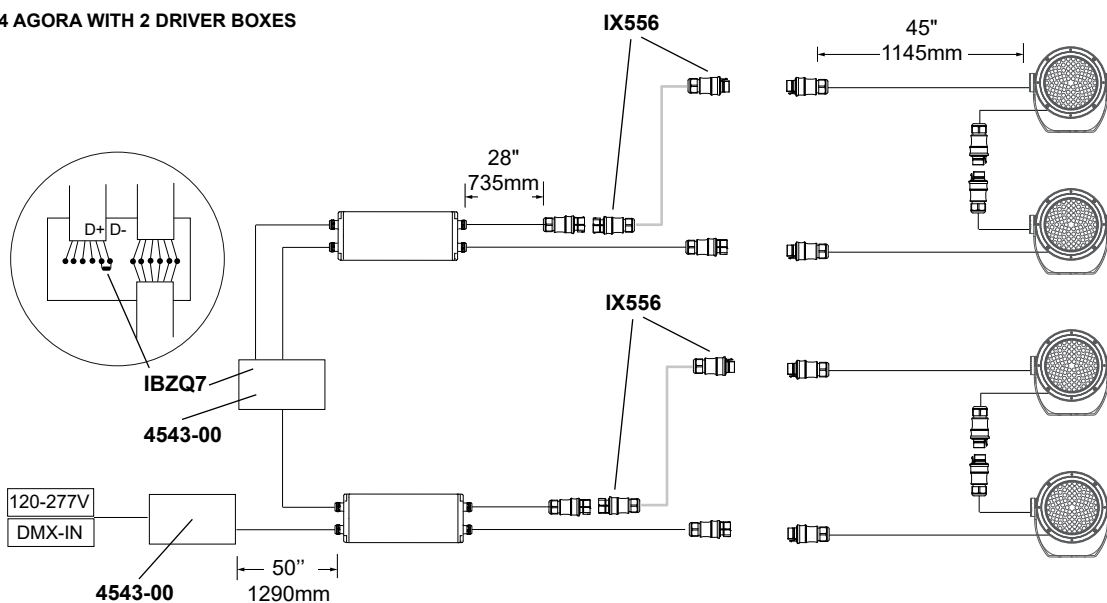
ONE AGORA WITH ONE DRIVER BOX



2 AGORA WITH ONE DRIVER BOX



4 AGORA WITH 2 DRIVER BOXES



SPECIFICATIONS

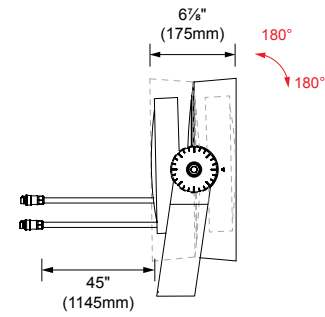
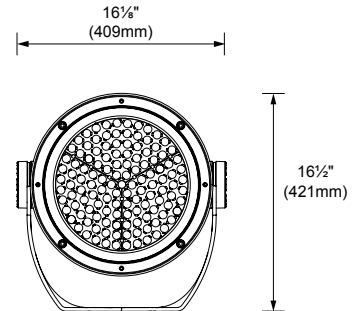
Luminaire characteristic:	Power input system: 88.4W to 118.7W Lumens system for 3000K, 80CRI: 5,427lm to 7,519lm Luminaire efficacy for 3000K, 80CRI: Up to 69lm/W
Source:	RGBW white LED: 3000K 80CRI
Lumen maintenance:	80% of initial lumens at 95 000 hours (L80 B10) T77°F (25°C)
Optic:	Available in Super Spot, Spot, Flood and Wide Flood. Full line of professional accessories (page 2).
Material:	Optical body, accessory holder ring and driver housing: Die-cast aluminum; Optic diffuser: PMMA; Optic reflector: Aluminium; Protective screen: 3/16" (4mm) thick extra-clear sodium-calcium closure glass. Mounting bracket: Steel.
Adjustment:	Adjustable allows up to 70° rotation about the vertical, (see instruction sheet for details on adjustment) Adjustable 360° from horizontal line (tilt).
Electrical:	High efficiency dimmable LED driver, rated at 50 000 hours, 120V/277V. To be ordered separately. Integral DMX card. To achieve DMX RGBW, appropriate control system must be used. Comes with 45in of cable.
Dimming:	DMX for RGBW (120-277V)
Finish:	Black (RAL9005), gray (RAL9007), rust brown (RAL8017) or white (RAL9016) painted finish with a high level of weather and UV resistance. The coating is electrostatically applied, durable acrylic enamel baked at high temperatures for superior color retentive finish.
Operating temperature:	BO: -30°C to 50°C (-22°F to 122°F); HO: -30°C to 35°C (-22°F to 95°F);
Weight:	MM - medium Ø14.5 " 31.21lb (14.16kg)
Warranty:	5 year limited warranty.
Ratings:	IP66, IK08
Certification:	cULus listed for wet location.



DIMENSIONS

Bracket is included. For adjustment details, consult instruction sheet.

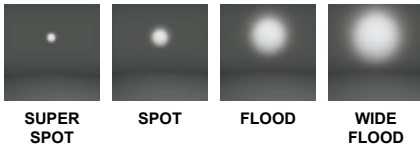
WITH STANDARD BRACKET



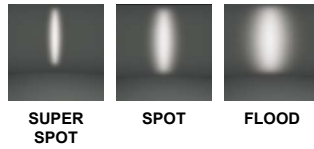
PROFESSIONAL OPTICS

11 Total Optics Combinations with Elliptical Distribution Refractor and Diffuser Glass accessories

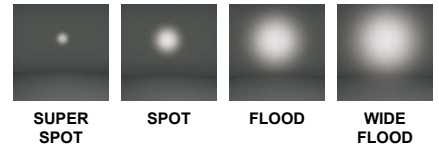
Primary Optics



With Elliptical Distribution Refractor

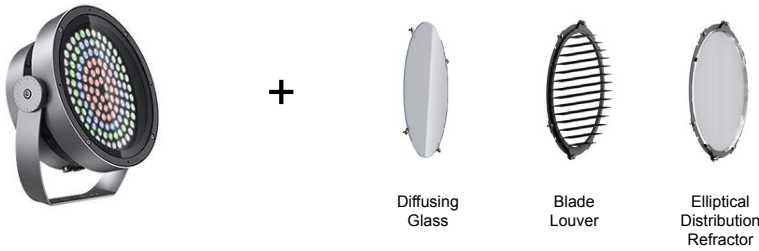


With Diffuser Glass

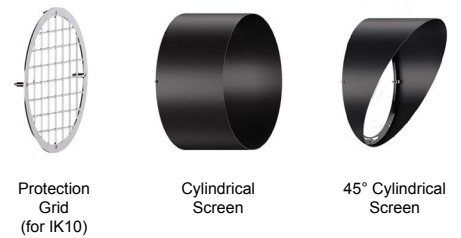


PROFESSIONAL ACCESSORIES

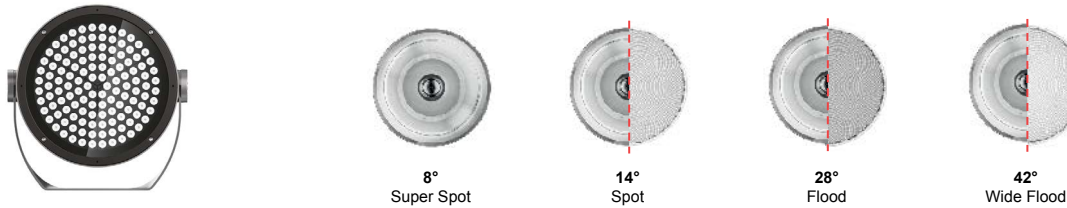
INTERNAL ACCESSORIES (Choose only one)



EXTERNAL ACCESSORIES (Choose only one)



OPTI BEAM LENS + REFRACTORS



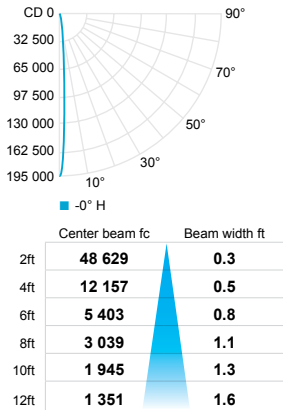
FAMILY OVERVIEW



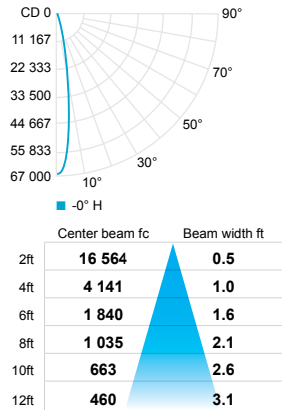
PHOTOMETRIC DATA

CCT (K)	CRI	OUTPUT	LOAD (W)	OPTIC	LUMENS (lm)	EFFICACY (lm/W)	MAX CANDELA (cd)	MODELS
3000	80	BO	88.4	Super Spot 8°	6,095	69	194,516	IAGR-MM-BO-RGBW-SS
				Spot 14°	5,845	66	66,257	IAGR-MM-BO-RGBW-SP
				Flood 28°	5,678	64	22,424	IAGR-MM-BO-RGBW-FL
				Wide Flood 42°	5,427	61	9,355	IAGR-MM-BO-RGBW-WF
		HO	118.7	Super Spot 8°	7,519	63	239,942	IAGR-MM-HO-RGBW-SS
				Spot 14°	7,210	60	81,730	IAGR-MM-HO-RGBW-SP
				Flood 28°	7,004	59	27,660	IAGR-MM-HO-RGBW-FL
				Wide Flood 42°	6,695	56	11,540	IAGR-MM-HO-RGBW-WF

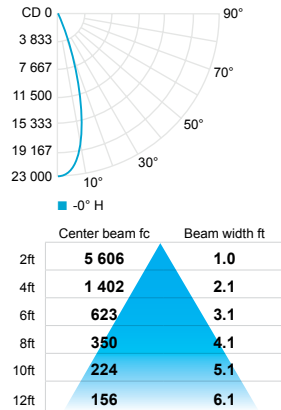
BO Super Spot 8° (3000K, 80CRI)



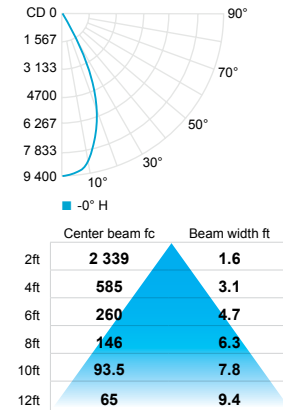
BO Spot 14° (3000K, 80CRI)



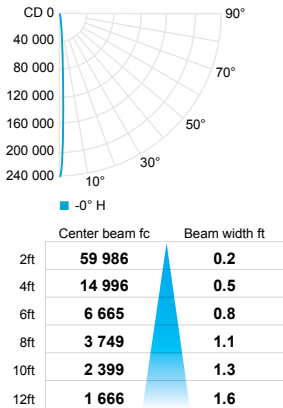
BO Flood 28° (3000K, 80CRI)



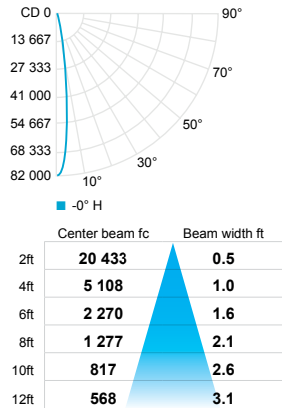
BO Wide Flood 42° (3000K, 80CRI)



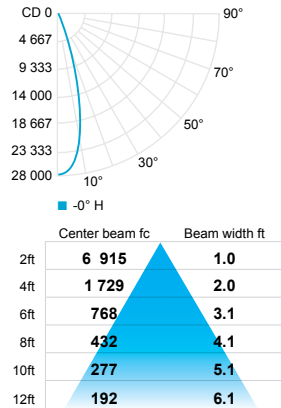
HO Super Spot 8° (3000K, 80CRI)



HO Spot 14° (3000K, 80CRI)



HO Flood 28° (3000K, 80CRI)



HO Wide Flood 42° (3000K, 80CRI)

