

Última actualización de la información: Octubre 2024

**Configuraciones productos: BK91**

BK91: Mini - Wall-/Ceiling-mounted - Warm White LED - 24V/500mA dc - L=262mm - 32° Flood Optic

**Código producto**

BK91: Mini - Wall-/Ceiling-mounted - Warm White LED - 24V/500mA dc - L=262mm - 32° Flood Optic

**Descripción**

Direct light luminaire, designed to use monochrome LED lamps. Ceiling- and wall-mounted. Consists of a body and supports for installation (to be ordered separately). Extruded aluminium body, with zamak die-cast end caps complete with silicone gaskets. Coated with liquid acrylic paint with a high level of weather and UV ray resistance. The top of the optical assembly is closed by a 3 mm thick transparent glass screen, fixed with silicone. Complete with multi-LED power plate in Warm White with 24V/500mA dc electronic circuit (power supply to be ordered separately); 24V/500mA smart driver allowing constant light flow emission despite variations in the input voltage (from 30V dc to 16V dc). Fitted with satin-finish polycarbonate film and optics with plastic (methacrylate) lens for 32° FLOOD lighting. All external screws used are made of A2 stainless steel. The luminaire technical characteristics conform to EN 60598-1 standards and particular requirements.

**Instalación**

The following accessories are available for installation: adjustable wall-mounted arms in AISI304 stainless steel (L=83mm code BZJ9, 200mm code BZJ8) and a plate for surface- or ceiling-mounting made of anodised aluminium (BZJ6).

**Colores**

Gris (15)

**Montaje**

a la pared/en el techo

**Equipo**

The product is supplied with a single nickel-plated brass cable gland PG9 and a 2x1mm<sup>2</sup> PVC and polyurethane outlet cable, 2000mm long. For the electrical connection there is an IP68 linear connector (BZK6) and an IP67 junction box with quick-coupling terminals (BZK7). 24V/500mA dc electronic ballasts to be ordered separately: 32W (BZA0), 25W (K980) and 35W (BZM4)

**Notas**

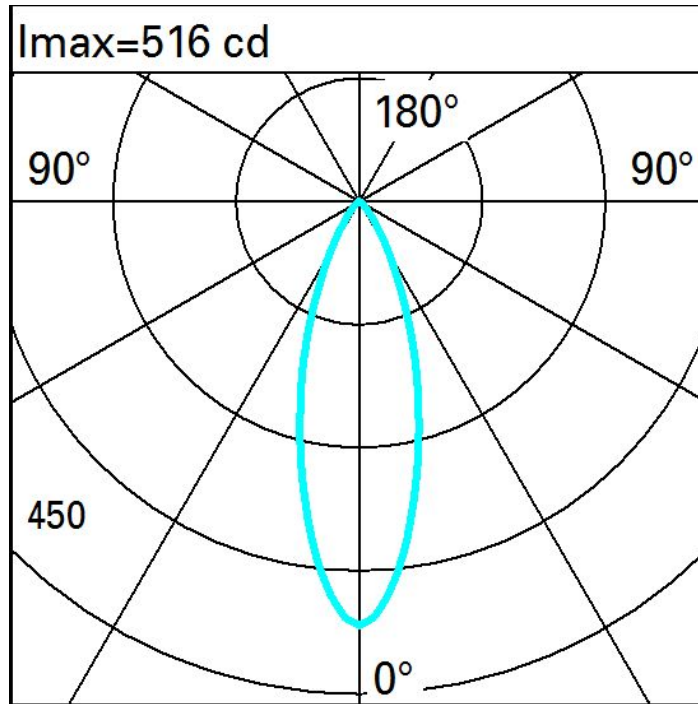
Product complete with LED lamp

Se conforma con EN60598-1 y regulaciones pertinentes

**Datos técnicos**

Im de sistema:	216	Temperatura de color [K]:	3000
W de sistema:	4.7	MacAdam Step:	3
Im de la fuente:	360	Life time (vida útil) LED 1:	66,000h - L80 - B10 (Ta 25°C)
W de la fuente:	4.7	Life time (vida útil) LED 2:	66,000h - L80 - B10 (Ta 40°C)
Eficiencia luminosa (lm/W, valor del sistema):	45.9	Código de lámpara:	LED
Im en modo emergencia:	-	Número de lámparas por grupo óptico:	1
Flujo total de emisión en un ángulo de 90° o superior [Lm]:	0	Código ZVEI:	LED
Light Output Ratio (L.O.R.) [%]:	60	Número de grupos ópticos:	1
Ángulo de apertura del haz de luz [°]:	32°	Rango de temperatura ambiente operativa:	de -30°C a 50°C.
CRI (mínimo):	80	Corriente LED [mA]:	500

Polar



Illuminaciones

