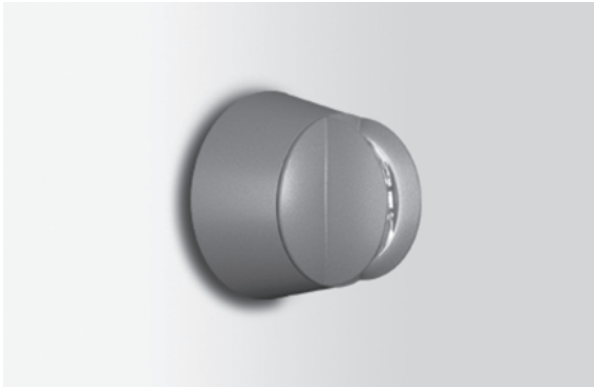


Project name: \_\_\_\_\_

Type: \_\_\_\_\_



Surface mounted luminaire that emits a light blade without any unwanted dispersion. Design by Dean Skira

**Luminaire characteristics:**

**Input load:** 3.9W

**Lumens:** 90lm

**Luminaire efficacy:** 23lm/W

**Source:** LED module, (LM-80 tested)

3000K: 80CRI

**Lumen maintenance:** >80% of initial lumens at 50 000 hours (L80),(LM-79 tested)

**Optics:** 180° radial effect

**Mounting:** Wall or ceiling mounted on standard 4" J box.  
Floor mounting in dry location only (interior)

**Material:**

Body: Die-cast aluminum

Diffuser: PMMA lens

Hardware: Stainless steel screws

**Electrical:** Integral high efficiency electronic power supply, rated at 50000 hours, 120V.

**Finish:** White RAL9016 or Gray RAL9007 painted finish with a high level of weather and UV resistance. The semi-gloss finish coating is electrostatically applied, durable acrylic enamel baked at high temperatures for superior color retentive finish.

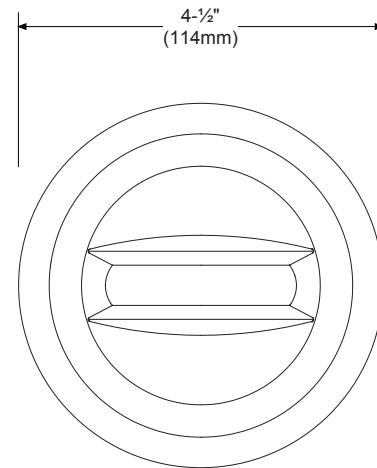
**Weight:** 1.3lb (0.6kg)

**Contact temperature:** Less than 50°C (122°F)

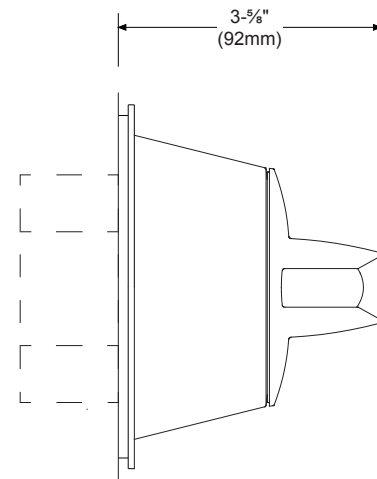
**Warranty:** 5 year limited warranty

**Certification:** cULus listed for wet location

**Ratings:** IP66, IK07



**FRONT VIEW**



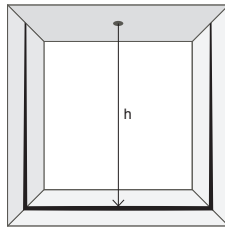
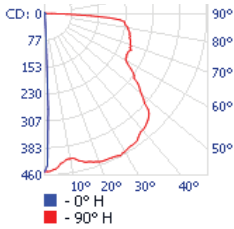
**SIDE VIEW**

Project name: \_\_\_\_\_

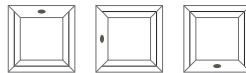
Type: \_\_\_\_\_

**TECHNICAL DATA**

LOAD (W)	CCT (K)	CRI	OPTIC	DELIVERED LUMENS (lm)	LUMINAIRE EFFICACY (lm / w)	CENTER BEAM CANDLE POWER (cd)	MODEL
3.9W	3000K	80	180 blade effect	90	23	455	I.BU22



Distance (h)	Blade width	Illuminance
3.3'	0.2'	41.1 fc
6.5'	0.5'	10.6 fc
9.8'	0.7'	4.66 fc
19.6'	1.4'	1.17 fc



**ORDERING INFO**

MODEL	VOLTAGE	FINISH
<input type="radio"/> I.BU22	<input type="radio"/> 120 - 120V	<input type="radio"/> 01 - White
		<input type="radio"/> 15 - Gray