

Last information update: December 2024

Product configuration: BV96
BV96: Platea Pro



Product code
BV96: Platea Pro

Technical description

Outdoor luminaire with a Wide Flood optic, designed to use LED RGBW lamps. Consists of an optical assembly with a base and an aluminium alloy frame. The painting stage consists of a primer and a liquid acrylic paint, cured at 150 °C, with a high level of weather and UV ray resistance. 5 mm thick colourless transparent tempered sodium-calcium closing glass. Product can be tilted on the vertical plane by +5°/-90° with a 10° step graduated scale and fitted with mechanical blocks that guarantee stable light beam aiming. Horizontal aiming can be adjusted using the slots on which the base is provided with a ±30° adjustment option. High visual comfort. High yield, homogenous light distribution polymer optic lenses. Circuit complete with single chip RGBW LEDs (Red Green Blue and White LEDs) and a DMX512-RDM electronic check driver . Removable control gear connected with quick-coupling connectors. 220-240V ac 50/60Hz electronic ballast. Replaceable control gear. All the screws used are made of A2 stainless steel.

Installation

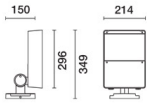
The luminaire can be installed on the wall or floor using a standard base. .

Colour

White (01) | Black (04) | Grey (15) | Rust Brown (F5)

Weight (Kg)

5.35



Mounting

wall arm|ground surface|wall surface

Wiring

Luminaire ready for pass-through wiring. Product perfect watertightness at the power cable entry point is guaranteed by 2 x M24x1,5 nickel-plated brass cable glands suitable for cables with a max external ø14mm (cross-section from 1.5mm²). Push in terminal board.

Notes

The following are available as accessories: refractor for elliptical light flow distribution, diffusing glass, visor, directional flaps, protective grille.

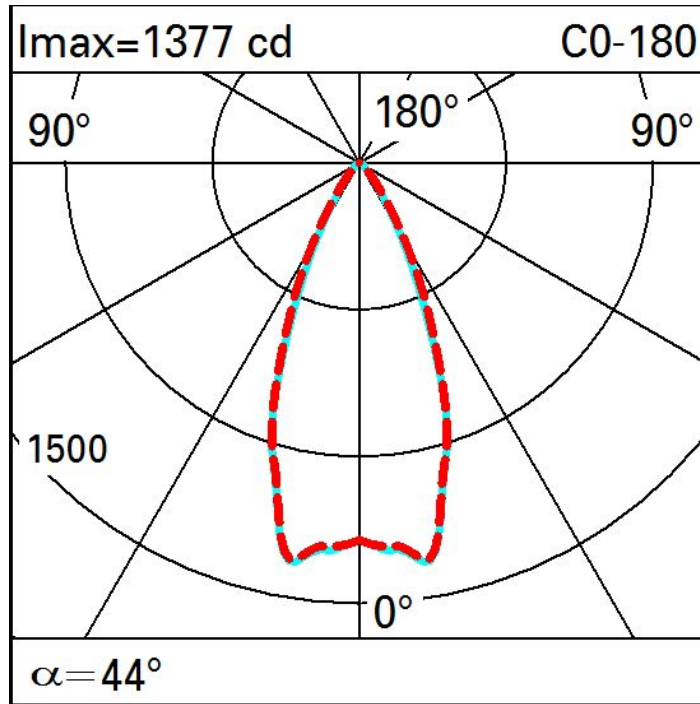
Complies with EN60598-1 and pertinent regulations



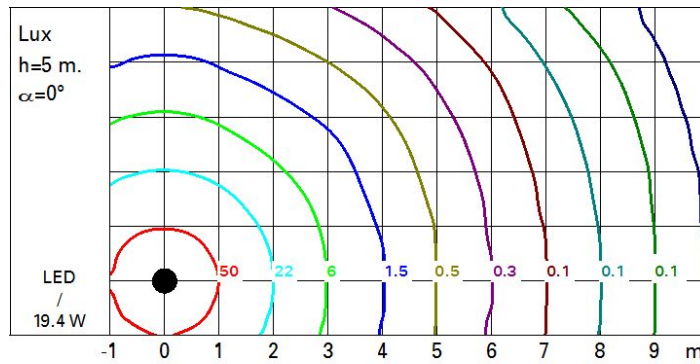
Technical data

lm system:	816	Life Time LED 1:	100,000h - L80 - B10 (Ta 25°C)
W system:	19.4	Life Time LED 2:	83,000h - L80 - B10 (Ta 40°C)
lm source:	1200	Voltage [Vin]:	230
W source:	12	Lamp code:	LED
Luminous efficiency (lm/W, real value):	42.1	Number of lamps for optical assembly:	1
lm in emergency mode:	-	ZVEI Code:	LED
Total light flux at or above an angle of 90° [Lm]:	0	Number of optical assemblies:	1
Light Output Ratio (L.O.R.) [%]:	68	Intervallo temperatura ambiente:	from -30°C to 50°C.
Beam angle [°]:	44°	Power factor:	See installation instructions
CRI (typical):	82	Control:	DMX-RDM
Colour temperature [K]:	RGBW - 4000K		

Polar



Isolux



Illuminances

